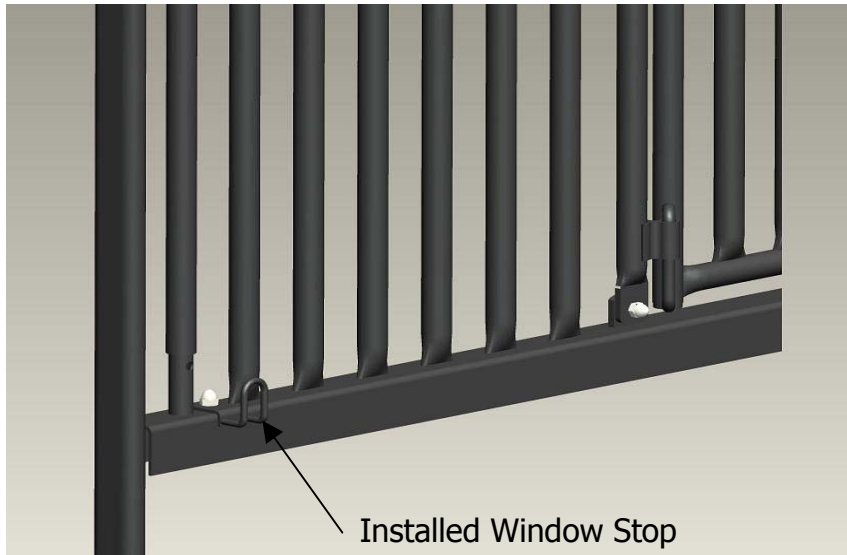


Premier Horse Stall Reversal Instructions



Standard Configuration shown with optional Feeder Assembly

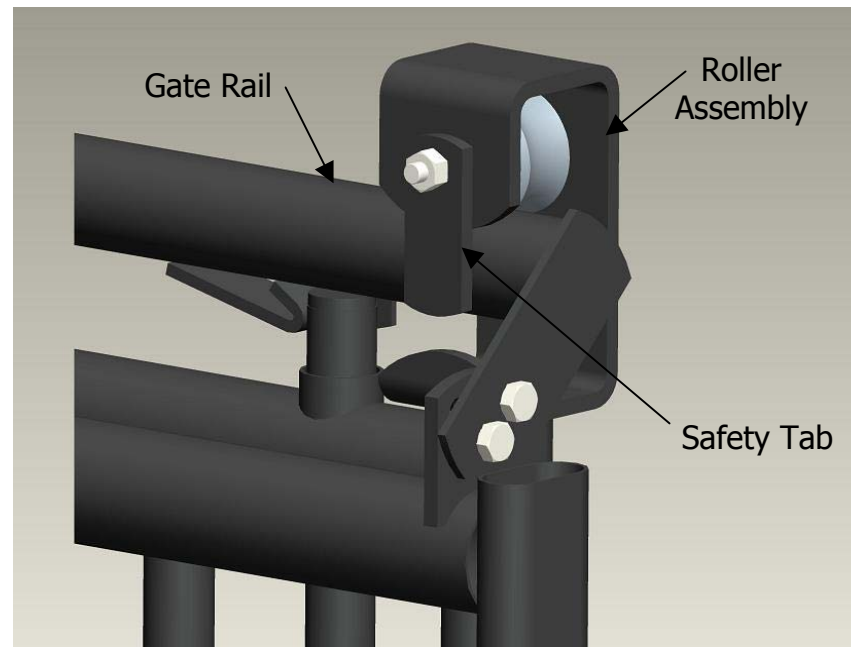
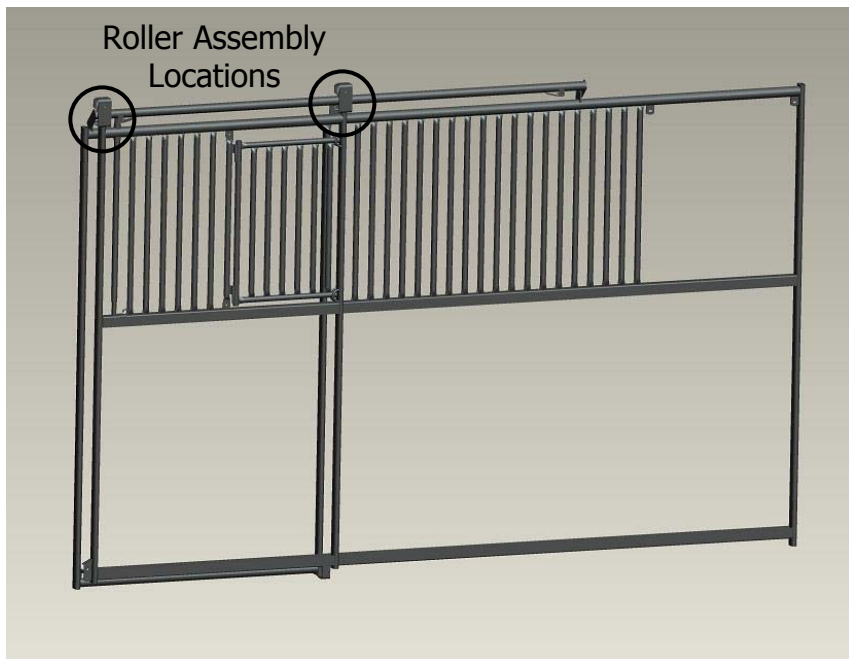
Stall Gate Window Stop Assembly



Step 1: Unwire Window Stop from Stall Gate. Turn rod loop "up" and align hole in gate with hole in Window Stop. Please note that rod loop is placed on the same side of the Stall Gate as the window hinges.

Step 2: Insert bolt from bottom and tighten acorn nut on top by hand until snug. Next use wrench to turn nut another 1/4 turn.

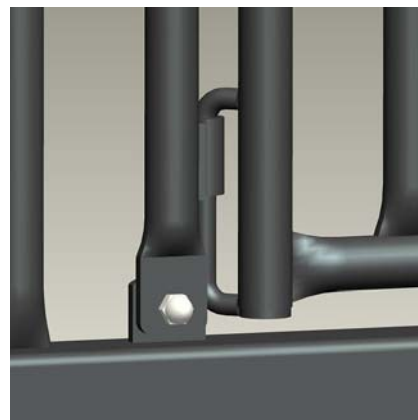
Stall Gate Removal & Roller Assembly Reversal



Step 1: Loosen safety Tabs on Roller Assemblies; turn safety tab "up" and lift gate from rail. Prop the gate against a wall or some other sturdy surface to perform steps 2 thru 5.

Step 2: Unbolt Roller Assembly at the top of the gate, rotate 180 degrees and bolt back into place. It is not necessary to remove the rollers.

Stall Gate Window/Window Stop & Gate Guide Reversal



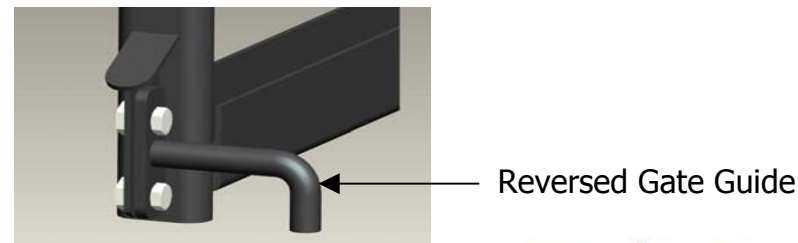
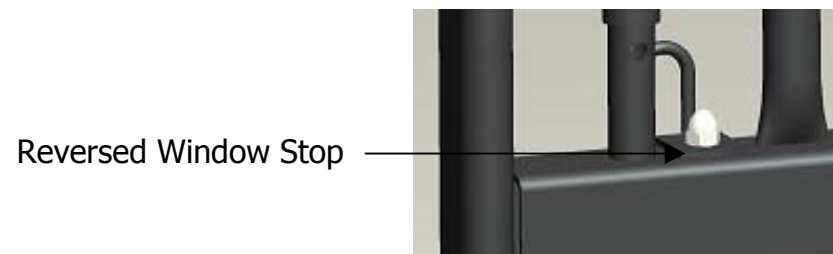
Note: Window is always bolted on the same side of the tab regardless of left or right orientation.



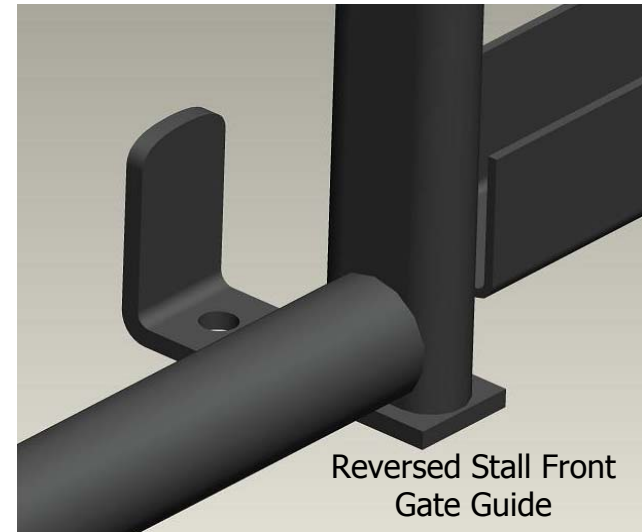
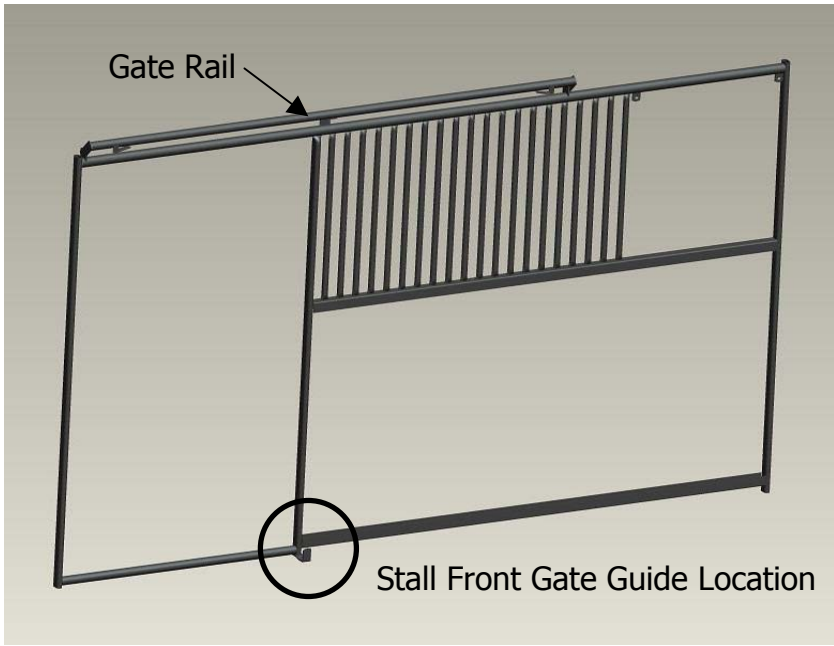
Step 3: Unbolt Gate Window; flip top over bottom 180 degrees, install from same side and replace bolts. Notice that hinges are always exposed on the outside of the stall.

Step 4: Unbolt Window Stop, rotate 180 degrees and bolt back into place.

Step 5: Unbolt Gate Guide located at the bottom corner of the gate, rotate 180 degrees and bolt back into place on the opposite side of tab. This completes the Gate Reversal Process.

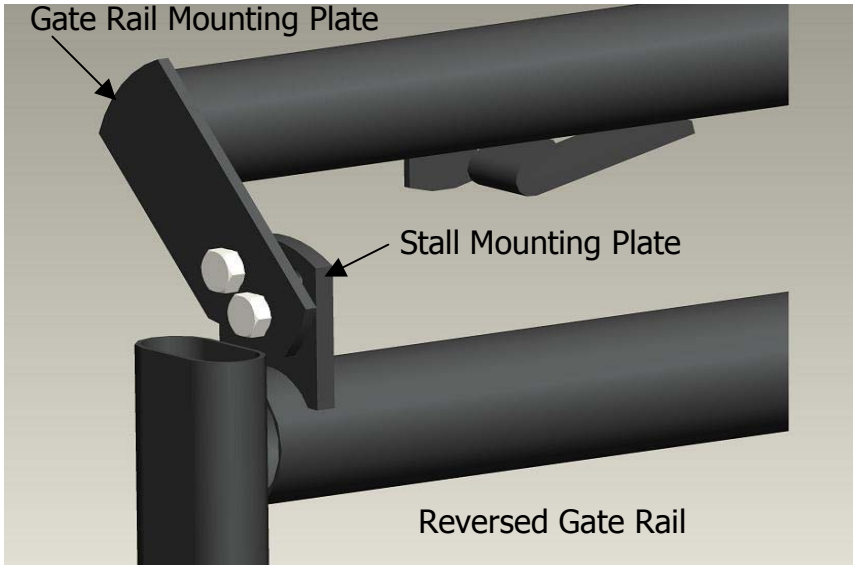


Stall Front Guide & Gate Rail Reversal



Step 1: Unbolt Stall Front Gate Guide w/ Anchor Plate; Rotate 180 degrees and bolt back into place.

Step 2: Unbolt Gate Rail, flip end over end 180 degrees and bolt back into place on opposite side of Stall Front.



Helpful Hints: When reattaching Gate Rail, put middle bolt in first and hand tighten. Make sure the Gate Rail Mounting Plates are "outside" of Stall Front Mounting Plates. Hand tighten bolts on one side then the other, then tighten with a wrench starting from one end in succession to the other.

Stall Front Feeder/Window Reversal, Gate Install, & Feed Bucket Assembly

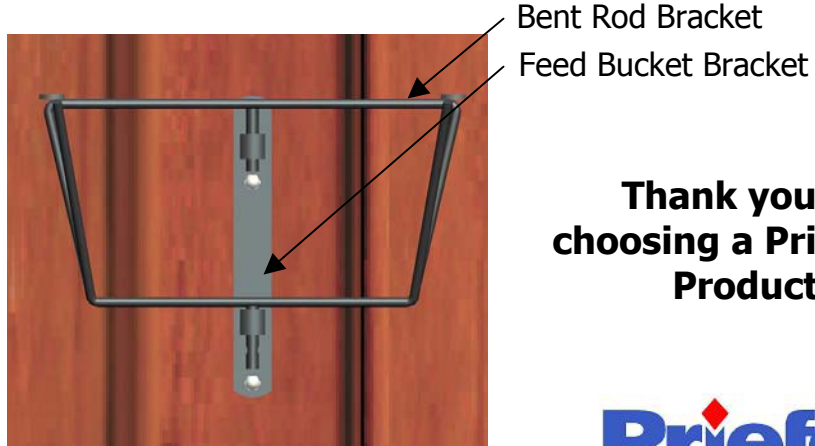


Step 1: Unbolt Stall Front Feeder, rotate 180 degrees and bolt back into place on opposite side of tab.

Step 2: Re-Hang Gate, rotate Safety Tabs "down" and tighten nuts. DO NOT over tighten, or gate may not roll smoothly or correctly. This completes the Stall Front Reversal.

Note: The following step is to be done after the wood panels have been installed.

Step 3: Install Feed Bucket Bracket so that the acorn nuts are below the Bent Rod Bracket that slides down into place.



Thank you for choosing a Priefert™ Product.